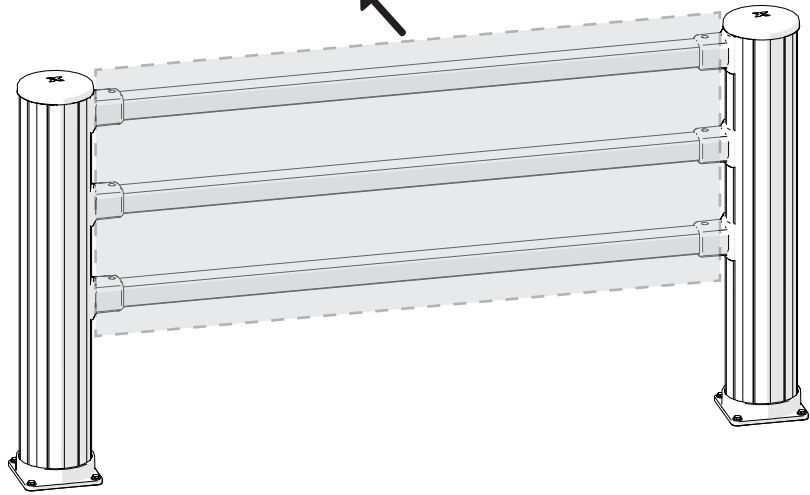


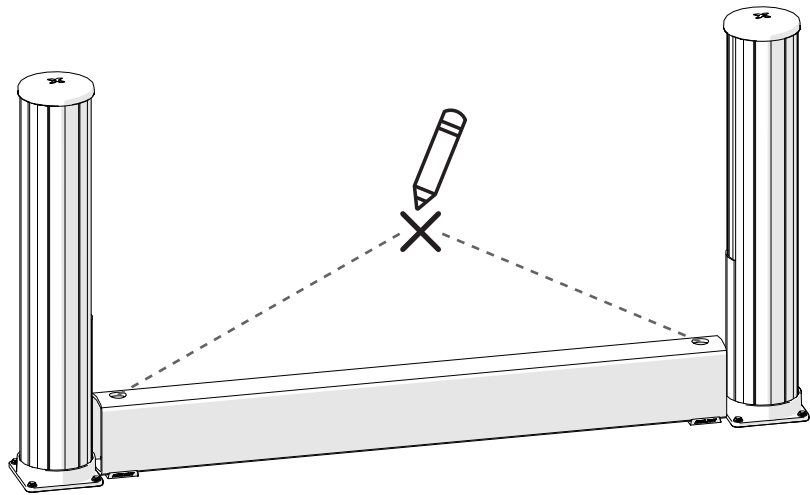


Mounting under barrier

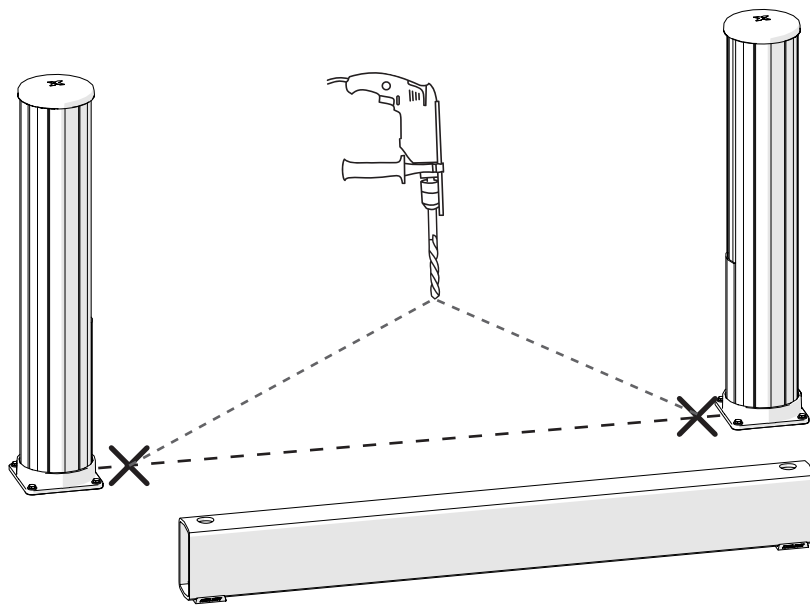
1



2



3



Mounting corners

